

Turbo Molecular Pumping System [YTP series Ver.B]

YTP Series version B is a high vacuum pumping system with a ceramic ball bearing turbo molecular pump. Vacuum pumping from atmospheric pressure to high vacuum is possible. ULVAC prepares two types, SA type which allows the automatic pumping by START / STOP switch and M type which is a manual operation. In addition, the back pump can be selected from rotary pump as a standard specification, or dry scroll pump as the other selection.



YTP-50MB-DRY



YTP-300SAB

Features

- ▶ Preparing various models according to the application
The back pump can be selected from rotary pump as a standard specification, or dry scroll pump as the other selection.
- ▶ Adopting a superior power failure countermeasure function
A solenoid valve is equipped as standard on the fore valve to prevent reverse flow and failure at power failure.
- ▶ Possible to check the condition of rough vacuum pump
Possible to check the pressure during rough vacuum pumping due to the Pirani vacuum gauge is equipped as a standard parts.
- ▶ Vacuum pumping to the Ultra High Vacuum area is possible.
The installation of optional baking heater allows the pumping to the Ultra High Vacuum area by degassing function. (※ As product specification value)

Applications

- ▶ Evacuation system from atmospheric pressure to high vacuum
- ▶ Evacuation system of various experiment and R&D equipments
- ▶ Vacuum substitution of high purity gas
- ▶ Roughing evacuation system of UHV system
- ▶ Evacuation system of analytical equipment

Turbo Molecular Pumping System [YTP series Ver.B]

Specifications

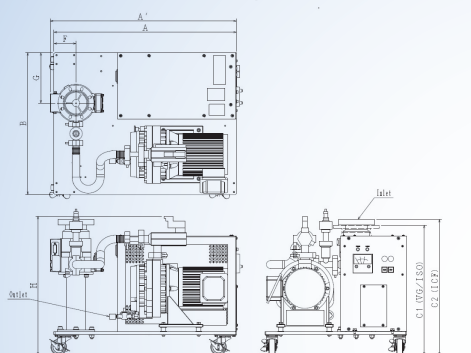
Model		YTP-50MB YTP-50SAB	YTP-50MB-DRY YTP-50SAB-DRY	YTP-300MB YTP-300SAB	YTP-300MB-DRY YTP-300SAB-DRY
Inlet port		ICF114		ICF152	
		VG65		VG100	
		ISO63-K		ISO100-K	
Ultimate pressure *1 *2	Before baking	10 ⁻⁶ Pa		10 ⁻⁶ Pa	
	After baking	10 ⁻⁶ Pa		10 ⁻⁶ Pa	
Pumping speed *3	N2	70 L/s		280 L/s	
	H2	49 L/s		220 L/s	
Outlet port		G3/4	NW16	G1	NW16
Baking pump	50Hz	50 L/min	90 L/min	200 L/min	250 L/min
	60Hz	60 L/min	100 L/min	240 L/min	300 L/min
TMP back pressure and rough pressure monitoring			Pirani vacuum gauge (2.7×10 ⁻³ ~ 10 ⁻¹ Pa)		
Fore valve			Solenoid valve for rotary pump automatic vent system(Solenoid valve)		
Input power source			Single phase AC100V(50/60Hz)		
Input cable length			5m with 3P outlet		
Power capacity		1.2 kVA	0.9 kVA	1.7 kVA	1.6 kVA
Power consumption during stable operation		0.6 kVA	0.4 kVA	1.0 kVA	
Weight		55 kg	57 kg	86 kg	85 kg

*1 Baking is only available with ICF flange type. *2 A digit number is expressed.(Display only the digits of power.)

*3 Without a protective net.

Dimensions

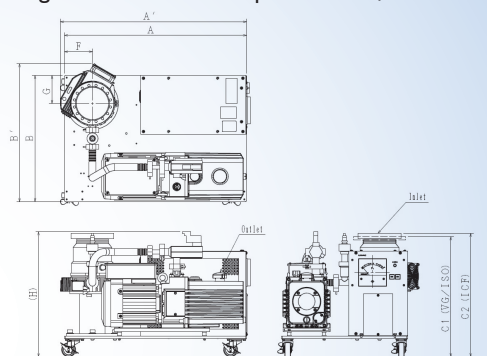
YTP-50 Ver.B
(The figure below shows DRY specifications)



	YTP-50MB YTP-50SAB	YTP-50MB-DRY YTP-50SAB-DRY
A	580	580
A'	592	592
B	400	450
C1	430	430
C2	412	412
D	311	311
E	65	65
F	70	70
G	160	160
H	470	463

YTP-300 Ver.B
(The figure below shows RP specifications)

Unit:mm



	YTP-300MB YTP-300SAB	YTP-300MB-DRY YTP-300SAB-DRY
A	650	650
A'	665	665
B	450	500
B'	492	542
C1	440	440
C2	428	428
D	311	311
E	65	65
F	100	100
G	100	100
H	576	576

ULVAC, Inc. Components Division

www.ulvac.co.jp/en

Overseas Sales in Japan TEL +81-467-89-2261

USA : ULVAC Technologies, Inc. TEL +1-978-686-7550
 GERMANY : ULVAC GmbH TEL +49-89-960909-0
 CHINA : ULVAC (SHANGHAI) Trading Co.,Ltd. TEL +86-21-6127-6618
 TAIWAN : ULVAC TAIWAN, Inc. TEL +886-3-579-5688
 KOREA : ULVAC KOREA, Ltd. TEL +82-31-683-2922
 SINGAPORE : ULVAC SINGAPORE PTE LTD TEL +65-6542-2700

PHILIPPINES : ULVAC SINGAPORE PTE LTD Philippines Branch TEL +63-46-437-7700
 VIETNAM : ULVAC SINGAPORE PTE LTD Vietnam Representative Office TEL +84-28-3821-2367
 INDONESIA : ULVAC SINGAPORE PTE LTD Indonesia Representative Office TEL +62-21-8990-5070
 THAILAND : ULVAC (THAILAND) LTD TEL +66-2-7388883
 MALAYSIA : ULVAC MALAYSIA SDN. BHD. TEL +60-3-5121-4700
 INDIA : ULVAC, Inc., India Branch TEL +91-40-27007006

▶ This catalog is subject to change without notice.

▶ This catalog is published in order to sell this product in overseas. Please see Japanese catalog when purchasing in Japan.

1551E-2/2019042000SP