

DC POWER SUPPLY [DPG Series]

The DPG-2/DPG-4 are 2kW/4kW DC power generators for sputtering. Repeatability is excellent because of high control accuracy.



Features

- ▶ **High control precision**
High precision of $\pm 1\%$ of set value even in a low power region of below 10%.
- ▶ **Wide accuracy guarantee**
Guarantee the wide range power control from 1 to 100%.
- ▶ **Light-weight/space-saving**
Light-weight and space-saving design with excellent installation flexibility.
- ▶ **Requires no cooling water**
Forced air cooling, requires no cooling water.
- ▶ **High reliability**
Our accumulated knowledge as an equipment manufacturer has been reflected in the design.

Applications

- ▶ Sputtering equipment for R&D
- ▶ BIAS power supply of sputtering equipment

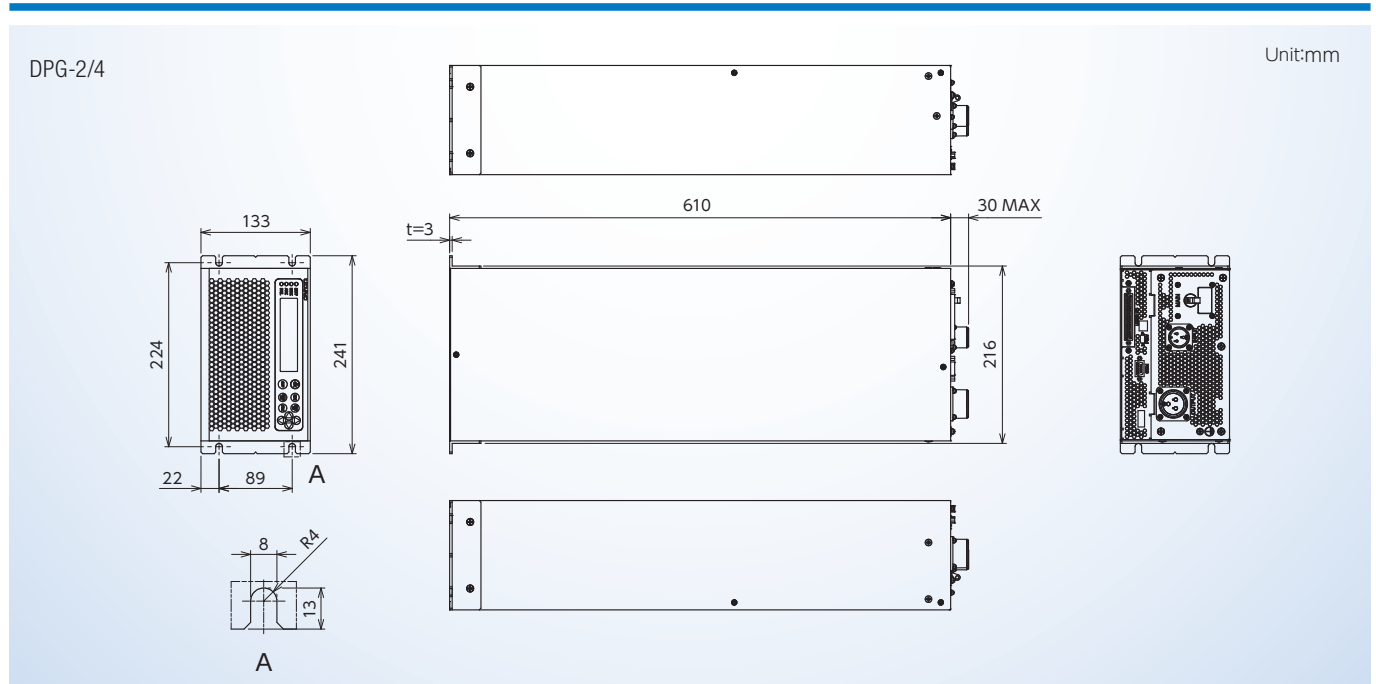
DC POWER SUPPLY [DPG Series]

Specifications

Model		DPG-2	DPG-4
Input specification	Rated input voltage	200/220VAC	
	Input voltage fluctuation range	180 to 242VAC	
	Phase, frequency	Three phase, 50/60Hz	
	Input capacity	3.5kVA	6.2kVA
Output specification	Maximum rated power	2kW	4kW
	Rated current	5A	10A
	Rated voltage	800V	
	Output polarity	Negative polarity	
	Abnormal discharge control	Shutoff by inverter stop or stop by resonance	
Control	Control method	Constant power control (P control) / Constant current control (I control) / Constant voltage control (V control)	
	Control precision	±1% of set point (In our prescriptive resistance value.)	
	Control compensation range	Constant power control, 1 to 100% of rated power value	
	Parallel operation	Nothing	
	Interface	Analog/Digital, RS-232C or RS-485	
Cooling method	Forced air-cooling		
Dimension (W×D×H)(excluding protrusions)	241mm×610mm×133mm		
Weight	15kg		
Applicable standard	CE / SEMI F47 / RoHS		

Ambient operating temperature 5°C~ 40°C (no condensation)
 Operating environment: Avoid direct sunlight, heat, dust, vibration, and without corrosive gas.

Dimensions



ULVAC, Inc. Components Division

www.ulvac.co.jp/en

Overseas Sales in Japan TEL +81-467-89-2261

USA : ULVAC Technologies, Inc. TEL +1-978-686-7550
 GERMANY : ULVAC GmbH TEL +49-89-960909-0
 CHINA : ULVAC (SHANGHAI) Trading Co.,Ltd. TEL (86)21-6127-6610
 TAIWAN : ULVAC TAIWAN, Inc. TEL +886-3-579-5688
 KOREA : ULVAC KOREA, Ltd. TEL +82-31-683-2922
 SINGAPORE : ULVAC SINGAPORE PTE LTD TEL +65-6542-2700

PHILIPPINES : ULVAC SINGAPORE PTE LTD Philippines Branch TEL +63-46-437-7700
 VIETNAM : ULVAC SINGAPORE PTE LTD Vietnam Representative Office TEL +84-8-6255-6762
 INDONESIA : ULVAC SINGAPORE PTE LTD Indonesia Representative Office TEL +62-21-8990-5070
 THAILAND : ULVAC (THAILAND) LTD TEL +66-2-7388883
 MALAYSIA : ULVAC MALAYSIA SDN. BHD. TEL +60-3-5121-4700
 INDIA : ULVAC, Inc., India Branch TEL +91-40-27007006

▶ This catalog is subject to change without notice.
 ▶ This catalog is published in order to sell this product in overseas. Please see Japanese catalog when purchasing in Japan.